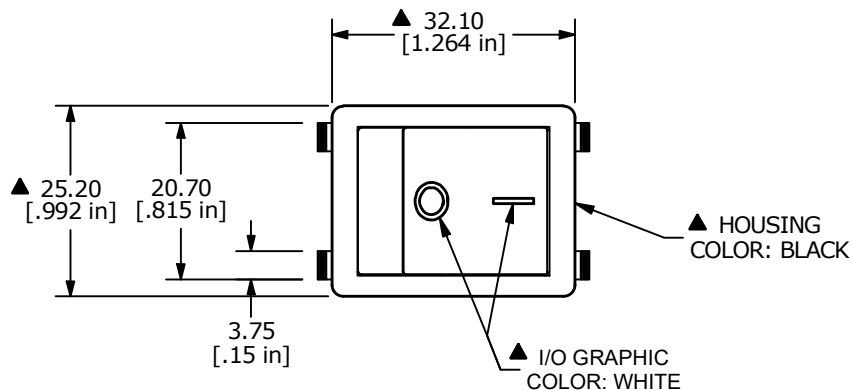
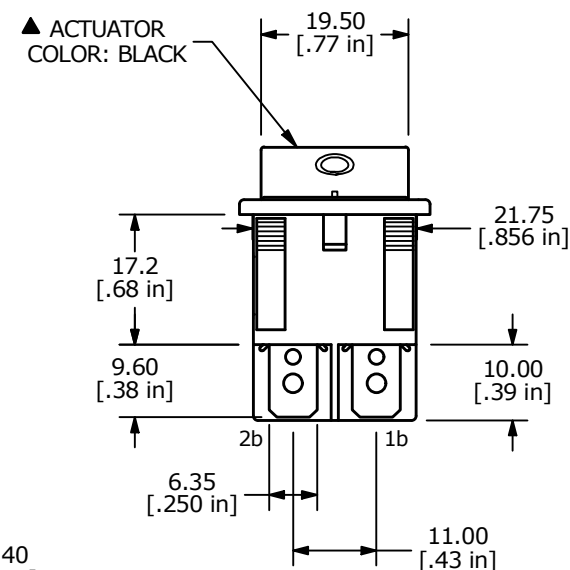
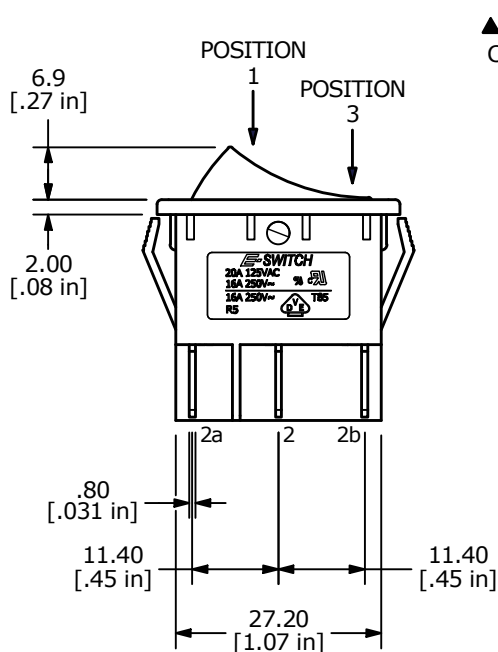
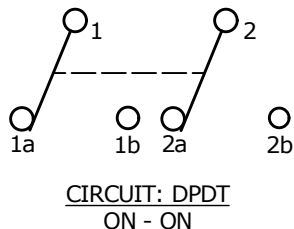


RECOMMENDED PANEL MOUNTING

| PANEL THICKNESS | X |
|-----------------|-------------|
| 0.75-1.25mm | 30.0-30.2mm |
| 1.25-2.00mm | 30.2-30.4mm |
| 2.00-3.00mm | 30.6-30.8mm |



| SWITCH FUNCTION | | |
|-----------------|--------|-----------|
| POS. 1 | POS. 2 | POS. 3 |
| | | |
| ON | NONE | ON |
| 1-1b,2-2b | N/A | 1-1a,2-2a |



- NOTES:
- ALL DIMENSIONS IN MM [INCH]
 - GENERAL TOLERANCE: X.X=±0.4
X.XX=±0.25
 - TERM. NUMBERS FOR REF. ONLY
 - RATING: 20A @ 125VAC 3/4HP UL
16A @ 250VAC 1HP UL
16A @ 250VAC 1HP VDE
 - ELECTRICAL LIFE: 10,000 CYCLES
 - MECHANICAL LIFE: 30,000 CYCLES
 - CONTACT RESISTANCE: <20mΩ INITIAL
 - DIELECTRIC STRENGTH: >1,500V AC 1MIN
 - INSULATION RESISTANCE: >1000MΩ
 - OPERATING TEMP: TERMINAL SIDE: -20°C to 85°C
ROCKER SIDE: -20°C to 55°C
 - ▲ DENOTES CRITICAL PARAMETER.



| | | | | |
|-----|--------|-------------|--------|----|
| A | 24428 | RELEASE | 8/3/20 | MW |
| REV | PCR NO | DESCRIPTION | DATE | BY |

| | | | | |
|--------------------|---------------|-------|-------------|-------|
| TITLE R5CBLKBLKFF0 | | | | |
| SCALE 1:1 | DATE 8/3/2020 | DR MW | DWG M050267 | REV A |

THE INFORMATION CONTAINED IN THIS DOCUMENT IS PROPRIETARY TO E-SWITCH AND IS NOT TO BE COPIED OR TRANSFERRED